

Dot-Less 1-2

Dot-Less 1-2 is specially designed and created for illuminating glossy surfaces and indirect lighting. It is a better choice compared to conventional light sources when illuminating glossy material to avoid ugly LED dots' reflection.

Our Dot-Less 1-2 fixture have a low profile of just 9mm (H) and also customizable at every 35.7mm.



- DC24V
- 9.0W/m
- Indoor
- Ra95 Typical
- 950 lumen/m
- Dimmable
- Custom Length

MODEL NO

Model No

VD XXXX – XXX B – 1-2

Fixture Type

Fixture Length

Color Temperature

Type of LED used

Version

Fixture Type

VD → Dot-Less (9.0W/m)

Fixture Length (for Dot-Less)

- 0974** → approx 1m /= L974mm, **Standard**, 9.0W/unit
- 0330** → L330mm, **Standard**, 3.0W/unit
- 1120** → L1120mm, Build-to-order, 10.5W/unit
- 0832** → L832mm, Build-to-order, 7.7W/unit
- 0652** → L652mm, Build-to-order, 8.7W/unit
- 0540** → L540mm, Build-to-order, 5.0W/unit
- 0438** → L438mm, Build-to-order, 4.4W/unit
- 0225** → L225mm, Build-to-order, 2.0W/unit

Fixture length customizable at every 35.7mm

Color Temperature

- 78xx** → Clear High CRI White 7800K, Build-to-order
- 403** → Cool White 4000K
- 353** → 3500K, Build-to-order
- 303** → Light Warm White 3000K
- 273** → Standard Warm White 2700K
- 253** → Warm White 2500K, Build-to-order

Type of LED used

- A** → Type A, manufactured by NICHIA Japan (Ra85 typ.) for CCT 2500K
- B** → Type B, manufactured by NICHIA Japan (Ra95 typ.)

Version

- 1-2** → 1-2 Version (Yr. 2018 upgraded model)

Example

VD

Fixture Type

Dot-Less (9.0W/m)

0974 – 303

Fixture Length

approx 1m /= L974mm, **Standard** 9.0W/unit

Color Temperature

Light Warm White 3000K

B – 1-2

Type of LED used

Type B, manufactured by NICHIA Japan (Ra95 typ.)

Version

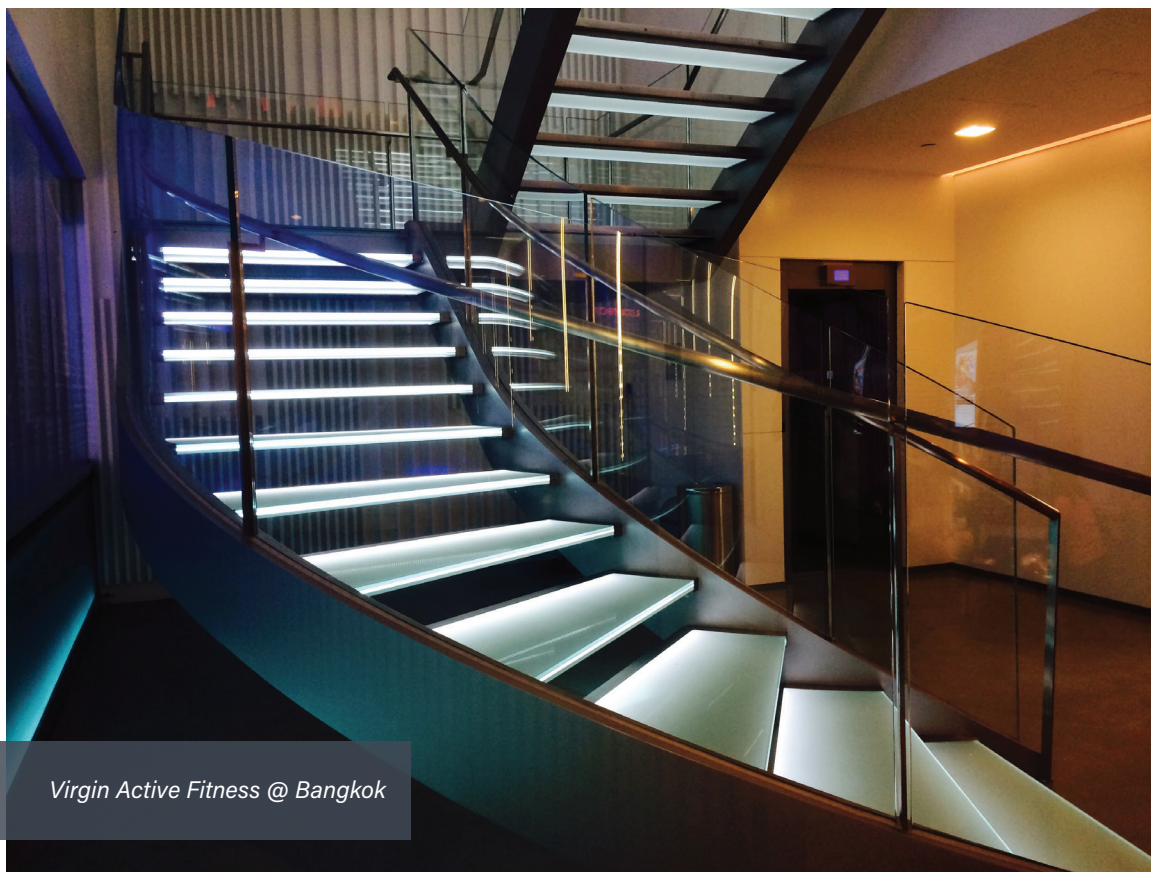
1-2 Version (Yr. 2018 upgraded model)

PRODUCT SPECIFICATIONS

| Product Name | Dot-Less ver.1-2 (Standard Length) | | Dot-Less ver.1-2 (Customized Length / Build-to-order) | | | |
|---|--|---------------------------|--|--------------------------------|---------------------------------|---------------------------------|
| Model No. | VD0330-xx-1-2 (L330mm) | VD0974-xx-1-2 (L974mm) | VD0438-xx-1-2 (L438mm) | VD0652-xx-1-2 (L652mm) | VD0832-xx-1-2 (L832mm) | VD1120-xx-1-2 (L1120mm) |
| Input Voltage | 24 Vdc (TDK Lambda recommended) | | | | | |
| Power Consumption | 3.0 W | 9.0 W | 3.9W | 7.7 W | 8.7 W | 10.5 W |
| Dimension (mm) | 330*15.6*8.8(H) | 974*15.6*8.8(H) | 438*15.6*8.8(H) | 652*15.6*8.8(H) | 832*15.6*8.8(H) | 1120*15.6*8.8(H) |
| Weight | 68 grams | 192 grams | 87 grams | 135 grams | 163 grams | 220 grams |
| Casing Body | Aluminium Heatsink with UV-resistant Polycarbonate Semi-Frosted Diffuser | | | | | |
| LED Beam Angle | 105° | 105° | 105° | 105° | 105° | 105° |
| Operating Temperature | -10°C~50°C | -10°C~50°C | -10°C~50°C | -10°C~50°C | -10°C~50°C | -10°C~50°C |
| Maximum Length of Series Connection | 4 meter | 4 meter | 4 meter | 4 meter | 4 meter | 4 meter |
| Option Parts | Mounting clip bracket 0° (flat) type / 30° fixed angle type | | | | | |
| No of LEDs | 63 | 189 | 84 | 126 | 161 | 224 |
| Power Supply Unit | 24.0 Vdc Constant-Voltage Switching Power Supply (*TDK Lambda brand) | | | | | |
| Dimming Control | *With recommended 0-10V/DMX compatible dimming driver unit | | | | | |
| Lumens (typical @ 3000K) | 393 | 1179 | (530) No data/ Estimated | (780) No data/ Estimated | (1000) No data/ Estimated | (1350) No data/ Estimated |
| Available LED Color | | | | | | |
| Clear White 7800K <i>*Build-to-order</i> | ● | ● | ● | ● | ● | ● |
| Cool White 4000K | ● | ● | ● | ● | ● | ● |
| 3500K <i>*Build-to-order</i> | ● | ● | ● | ● | ● | ● |
| Light Warm 3000K | ● | ● | ● | ● | ● | ● |
| Standard Warm 2700K | ● | ● | ● | ● | ● | ● |
| Dark Warm 2500K | ● | ● | ● | ● | ● | ● |
| RGB Full Color | NA | NA | NA | NA | NA | NA |

* For installation/wiring, refer to page 41.

PROJECT REFERENCE



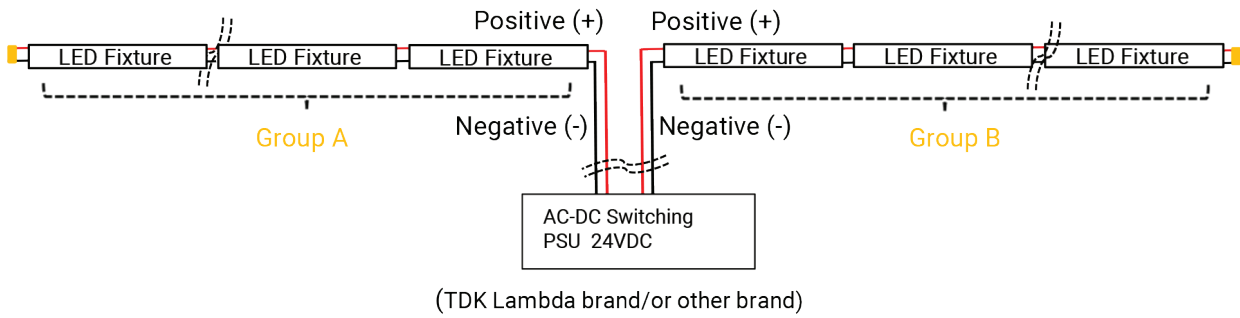
Virgin Active Fitness @ Bangkok



Dean & DeLuca @ Bangkok

INSTALLATION GUIDE (FOR MONO-COLOUR LED FIXTURE)

Please strictly follow maximum fixture length of 4 meter in one series connection.
(This is to minimize possible voltage drop).



Maximum length of each "Series" connection group
(= Each of Group A & Group B as per above diagram)

| | |
|--|----------|
| V-Cove VH type / 13.7W per meter type | 5 meter |
| V-Cove VM type / 6.0W per meter type | 10 meter |
| V-Cove VE type / 1.5W per meter type | 16 meter |
| V-Cove II P23 13.7W per meter type | 5 meter |
| V-Cove II P46 9.0W per meter type | 7 meter |
| Dot-Less II DL type/17W per meter type | 4 meter |
| Dot-Less II DE type/8W per meter type | 8 meter |
| Dot-Less 1-2 | 4 meter |
| V-Wash II | 3 meter |

Caution 1

Make sure polarity (plus & minus) of all DC/LED wires are correct before switching on.
Take note white colour wire of V-Cove is positive (+), and black colour wire is negative (-).
Reverse connection may damage LED circuit.



Black Wire = Minus (-)
White/ Red Wire = Positive (+)



White Cable = Positive (+)
Black Cable = Negative (-)



White Cable = Positive (+)
Two Black Cable = Negative (-)
(to be joined together)

Caution 2

For extension wire from switching PSU to LED, use AWG16(1.309mm²) or thicker wire, provided distance between power supply unit and 1st LED is within 6 meter. Should distance between power supply unit and 1st LED exceeds 6 meter, please consult us individually on case-by-case basis, so that we will propose suitable wire gauge as well as wiring layout.

Caution 3

Depending on various type of nominal wattage for 24Vdc PSU, load ratio of LED must be properly calculated. Ideally LED load ratio should be controlled below 85% against nominal wattage of PSU based on indoor application where ambient temperature is set below 25°. For example, if 150W 24Vdc PSU is used, maximum load shall be within 127W (150W x 85%).